



MAXIMUM EFFICIENCY

**3,000 – 4,000 LB. CAPACITY
ELECTRIC CUSHION TIRE LIFT TRUCKS**



POWER TO TACKLE YOUR TOUGHEST JOBS.

Made For Your Operation

Combining the latest in operator ergonomics and advanced AC technology, the Cat® EC15N-EC18LN electric cushion tire lift truck series gives your operators the tools they need to drive your business forward.

ADVANTAGES TO YOU:

- Low energy consumption - to keep the truck running for more hours
- Convenient battery extraction and access options
- Controllers, display, fingertip controls (optional) and motors are protected against dust and water
- Precise load handling and fast lift speeds
- Compact design minimizes turning radius for easy maneuvering in tight spaces
- Zero hydrocarbon emissions
- Industry-leading 500-hour extended service intervals
- World-class service and support from your experienced Cat lift truck dealer

KEY APPLICATIONS:

- Food Products
- Transportation
- Chemical and Allied Products
- Rubber and Plastics
- Metal Products
- Electronic and Electric Products
- Textile Products
- Rental Options For Seasonal Demands

EXCEPTIONAL RUN TIMES

Work longer without sacrificing performance, thanks to Cat Lift Trucks 3-phase AC technology and regenerative braking.

- All AC drive and hydraulic system – no brushes or commutator
- Enhanced electric power steering

RESPONSIVE ACCELERATION AND BRAKING

Separate drive, hydraulic and steer motors, maximize the lift truck's performance for superior power and greater productivity.

The Benefit To You:

- Responsive acceleration and braking
- Precise positioning
- Controlled travel speed

LITHIUM-ION AVAILABILITY:

- Greater power efficiency
- Run for 24 hours a day, 7 days a week with opportunity charging
- Zero battery maintenance
- No watering
- No more battery exchanges
- No gas emissions, odor or acidification
- No special charging areas or equipment needed
- Longer lasting life cycles (up to 3,000)
- 5-year warranty on batteries
- 2-year warranty on chargers





AN OPERATOR COMPARTMENT DESIGNED TO FIT YOU

Exceptional Comfort For A Long Day's Work.

FEATURES ALWAYS AT HAND

Hydraulic Levers

Conveniently mounted in the dashboard putting control in easy reach



4" Full-Color Display

Helps to keep the operator aware of truck performance

Emergency Battery Disconnect Button

Completely stops the unit in case of emergency



Re-charge Devices On The Go

A optional USB charging port for work and personal devices

Additional Storage

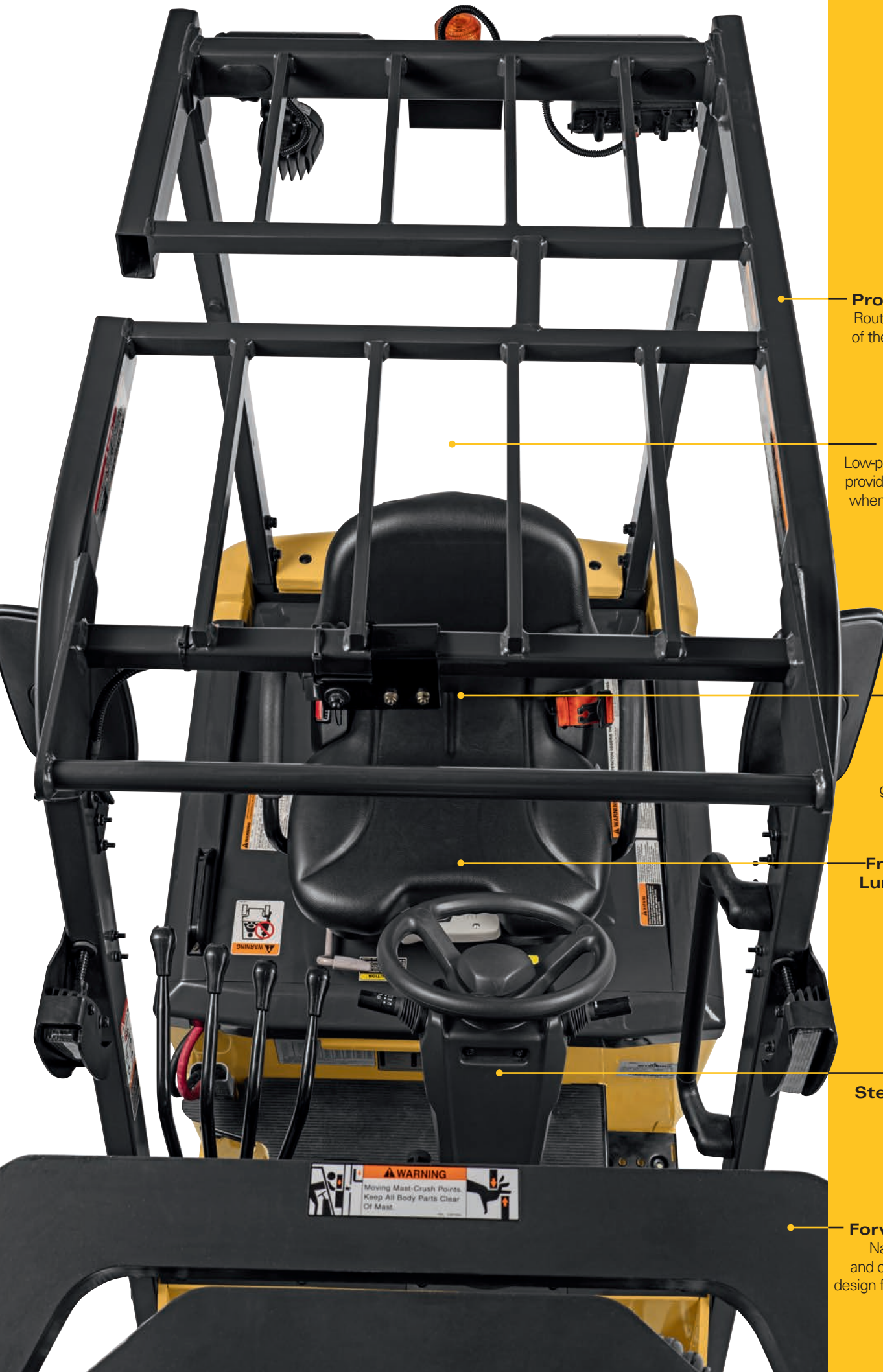
The storage compartment keeps work and personal items close at hand



MORE SPACE
MORE COMFORT

MORE
PRODUCTIVITY



**Protected Wiring**

Routed inside of the legs of the overhead guard for extra protection.

Rear Visibility

Low-profile counterweight provides excellent visibility when traveling in reverse.

Standard Vinyl Seat

The full-suspension, standard vinyl seat can be adjusted to give the operator the most comfortable position possible:

Front And Back Lumbar Support Suspension**Narrow Steering Column**

- Low effort
- Full-hydrostatic steering system
- Tilt-adjustable

Forward Visibility

Narrow mast channels and open overhead guard design for excellent visibility.



WORK SMART. WORK SAFE.

With State-Of-The-Art Technology To Assist You

With a wide-range of features and options, the Cat EC15N-EC18LN series gives your operators the confidence they need to get the job done.



FEATURES YOU CAN DEPEND ON

- Front LED Work Lights
- Highly-visible orange seat belt
- Foot-activated parking brake



SMART DESIGN

Full-Color Display

- Seat belt warning
- Mast interlock
- Reduced travel speed indicators
- Service maintenance reminders

Advanced Control System

- One-touch programming
- Easy-to-service
- Customizable programming
- PIN Code access with 100 individual codes

Easy Three-Point Access

- Elongated, 15-inch grab handle
- Oversized anti-slip grill plate covers the entire step for better grip
- Hip restraint helps the operator get into and out of the truck



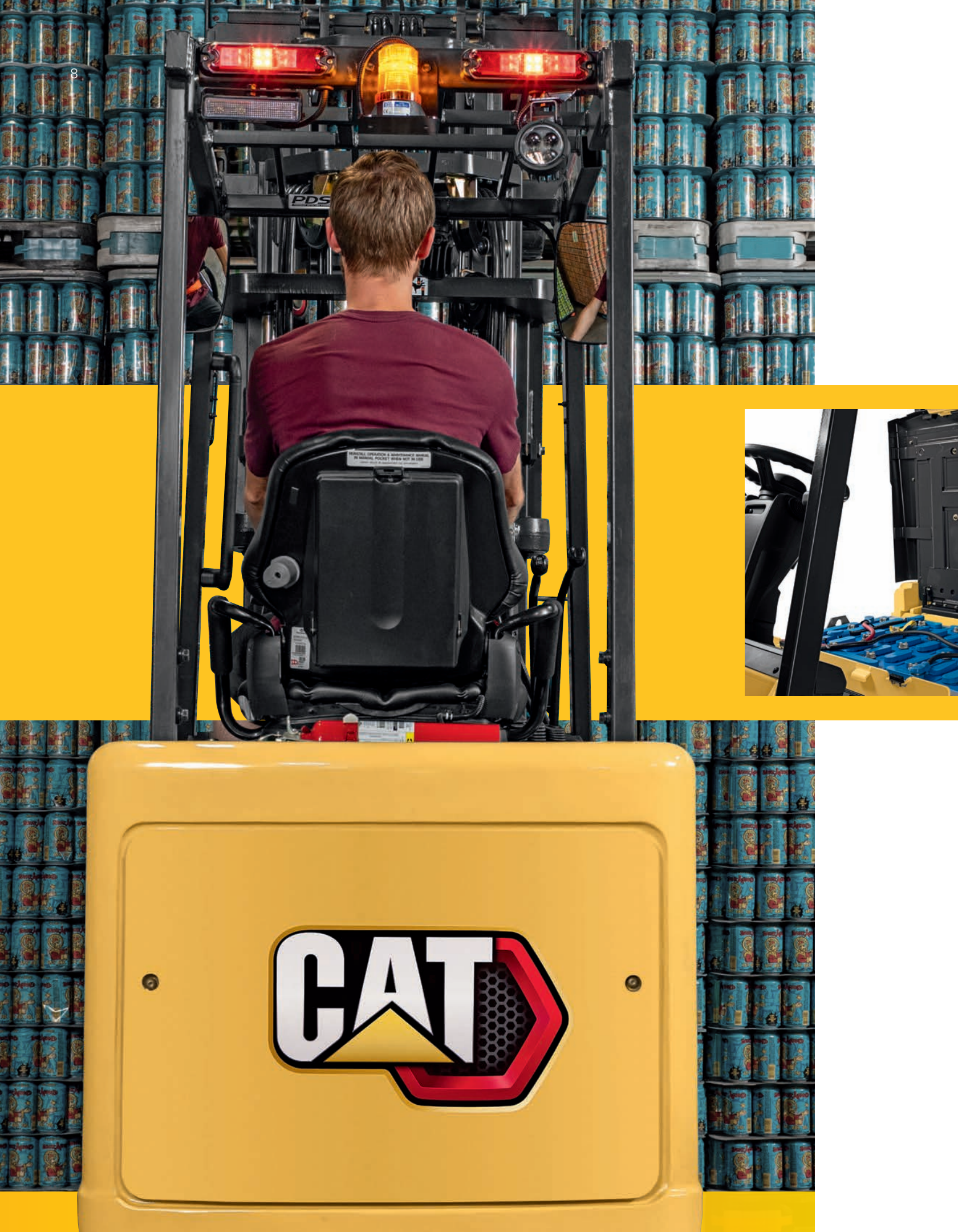


SMART SYSTEMS

Operator Presence Detection System (PDS)

This integrated, computer-based feedback system uses both audible and visual indicators to alert the operator to potentially hazardous situations, while increasing operator awareness.

- When the operator is not in the normal operating position, the Presence Detection System electronically discontinues powered-travel movement and load-handling functions.
- When an operator is in the normal operating position, but the seat belt is not buckled, an audible warning will sound and a visible indicator will appear, alerting the operator.



PDS

OPERAZIONE E MANUTENZIONE
IN MANUALE, MODELLO 924R-1000

CAT

EASY ACCESS. EASY SERVICE.

Less Maintenance. More Uptime.

Together, convenient service intervals and sealed components add up to greater uptime – to keep your business moving.

Easy access to core components

- AC drive motor
- Hydraulic motor and controllers
- No tools required to remove floorboard

500-hour convenient service intervals

Less time doing maintenance equates to more time on the floor moving product.

MOTOR PROTECTION SYSTEM

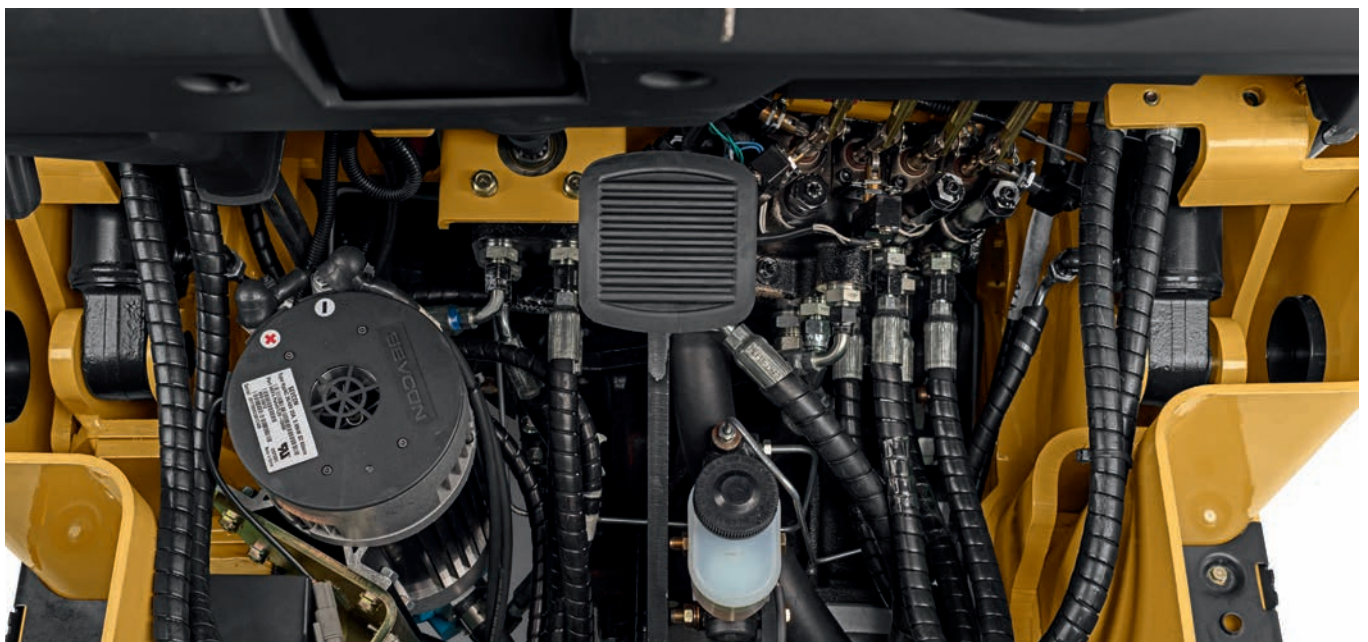
Display-based indicators notify the operators when motor maintenance is required, resulting in greater uptime while helping to reduce the risk of more costly maintenance needs later down the line.

BATTERY COMPARTMENT DESIGN

For extra protection and reduced noise, the unique battery compartment design features strategic spacers and an additional edge cover.

EASY TO CHARGE

Convenient charging option to simplify access to the battery compartment and save you time.



Easy floorboard access to components means less time searching for maintenance points, and more time on the job.

GET THE WORK DONE. YOUR WAY.

ADAPTABLE PERFORMANCE MODES

Optimize your performance and efficiency by simply selecting one of the pre-set operating modes. Efficiency is optimized by achieving the right balance between output and economy.

WIDE VARIETY OF OPTIONS

Special application packages

- A drive-in rack option to better fit different applications
- Freezer for intermittent use below 14° F

Electronic back-up "smart" alarm

- Ideal option for freezer and cold applications
- The back-up alarm will automatically adjust its volume level to suit the environment
- -40°F to 185°F temperature operating range

Productivity options

- Foot direction control
- Steering wheel knob

Variety of light packages

These models can be customized with blue spot lights, strobe lights and more.

Optional U.L. type ES, EE ratings

- Acceleration
- Travel Speed
- Hydraulic Speed

SHIPPING AREA High Performance

Fast acceleration
Fast travel speed
Moderate hydraulic speeds



RECEIVING AREA Short Shuttle

Fast acceleration
Slow travel speed
Moderate hydraulic speeds



LONG SHIFTS Economy

Slow acceleration
Slow travel speed
Moderate hydraulic speeds



TRAVEL APPLICATION Long Shuttle

Slow acceleration
Fast travel speed
Moderate hydraulic speeds



MAIN WAREHOUSE Normal Warehouse

Moderate acceleration
Moderate travel speed
Moderate hydraulic speeds







Local service and support



Genuine OEM parts



Custom financing packages

MORE CONFIDENCE





Factory warranty for added protection



Local Support You Can Count On

A Cat lift truck purchase connects you to a variety of material handling solutions, including world-class service and support from your local, trusted dealer. With trained service technicians, a diverse parts inventory and a broad selection of service options, your local dealer can help you lower costs, enhance productivity and more efficiently manage your business.

FINANCING MADE SIMPLE

Financing your next Cat lift truck is easy with our wide range of flexible leasing and purchasing options. Whether you want to finance or lease, your local Cat lift truck dealer can help customize a package for your business.

WHEN EVERY PART COUNTS

When buying from your local Cat lift truck dealer, you can rest assured that your genuine OEM parts are manufactured to meet original equipment criteria. Additionally, all Cat lift trucks OEM parts come with a six-month, unlimited-hours warranty.

When speed is critical, our Parts Fast Or Parts Free Guarantee* ensures next-business-day delivery of all Cat lift trucks parts, or they're free, including freight. If your part doesn't come in by the next business day, we pay for it.

STANDING BEHIND OUR PRODUCTS

We deliver peace of mind by helping your lift trucks stay on the job. Every new Cat lift truck is covered by a 1-year / 2,000-hours warranty that includes parts and labor, as well as components and systems. With our standard 2-year / 4,000-hours extended powertrain warranty, you'll have the confidence that only comes from owning a Cat lift truck.

* At dealer's location.

† Programs may be subject to change without notice and may vary by region. Please ask your local Cat lift truck dealer for complete terms and conditions.

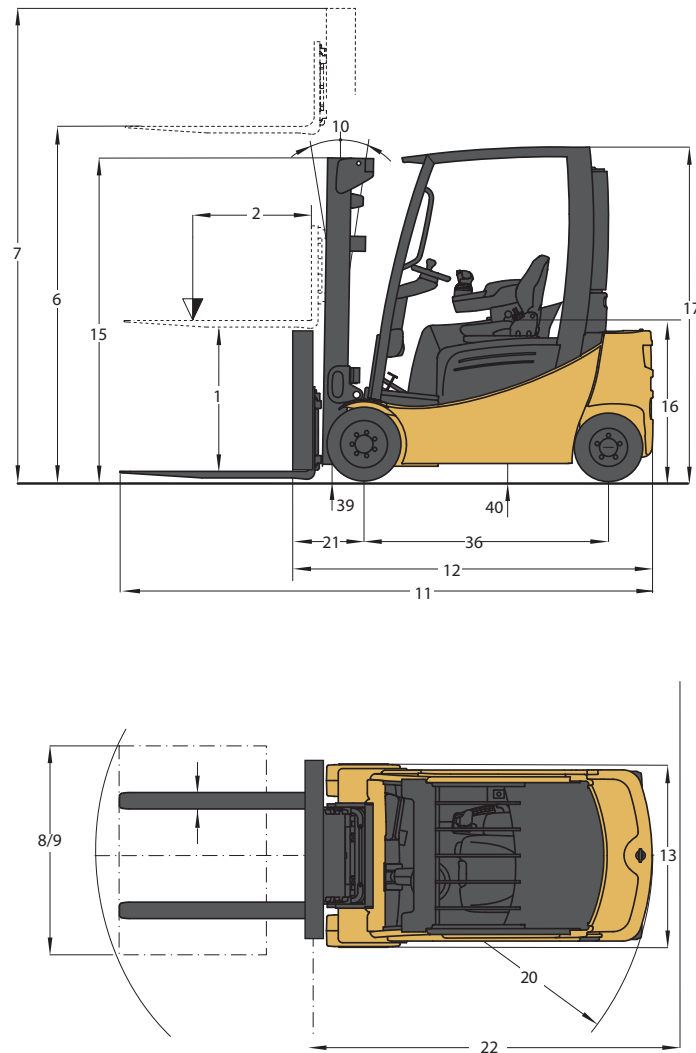
Specifications

Characteristics				EC15N		EC18N		EC18LN	
1	Capacity at rated load center	lb	kg	3,000	1,500	3,500	1,8000	4,000	1,800
2	Load center – distance	in	mm	24	500	24	500	24	600
3	Power – diesel, gasoline, LP gas, electric			electric		electric		electric	
4	Tire type – cushion, solid pneumatic			cushion		cushion		cushion	
5	Wheels (x=driven) number front / rear			2x / 2		2x / 2		2x / 2	
Dimensions				EC15N		EC18N		EC18LN	
6	Maximum fork height (top of forks)	in	mm	130.7	3,320	130.7	3,320	130.7	3,320
7	Free lift	in	mm	4.5	115	4.5	115	4.5	115
8	Forks – thickness x length x width	in	mm	1.4 x 42 x 3.9	35 x 1,070 x 100	1.4 x 42 x 3.9	35 x 1,070 x 100	1.4 x 42 x 3.9	35 x 1,070 x 100
9	Fork spacing – out-to-out minimum / maximum	in	mm	9.4 / 32	240 / 818	9.4 / 32	240 / 818	9.4 / 32	240 / 818
10	Tilt – forward / backward	deg		5.0 / 6.0°		5.0 / 6.0°		5.0 / 6.0°	
11	Overall length (with 42" long forks)	in	mm	120.0	3,050	120.0	3,050	123.0	3,125
12	Length to fork face (includes fork thickness)	in	mm	78.0	1,980	78.0	1,980	81.0	2,055
13	Overall width with standard tires	in	mm	37.0	947	37.0	947	39.0	995
14	Overall width with wide stance tires	in	mm	39.0	996	39.0	996	41.0	1,045
15	Height to top of lowered mast	in	mm	83.1	2,110	83.1	2,110	83.1	2,110
16	Seat height to SIP	in	mm	40.3	1,023	40.3	1,023	40.3	1,023
17	Height to top of overhead guard	in	mm	86.0	2,180	86.0	2,180	86.0	2,180
18	Drawbar pin height	in	mm	9.2	234	9.2	234	9.2	234
19	Height with mast raised	in	mm	179.2	4,550	179.2	4,550	179.2	4,550
20	Minimum outside turning radius	in	mm	70.5	1,790	70.5	1,790	72.5	1,840
21	Load distance, axle to fork face	in	mm	14.8	376	14.8	376	14.8	376
22	Minimum aisle – 90° stack - zero clearance without load	in	mm	85.0	2,165	85.0	2,165	87.5	2,220
Performance				EC15N		EC18N		EC18LN	
23	Travel speed – loaded / empty (36 volt)	mph	km/h	10.2 / 11.2	16.4 / 18.0	9.3 / 10.8	14.9 / 17.3	9.3 / 10.8	14.9 / 17.3
24	Travel speed – loaded / empty (48 volt)	mph	km/h	11.3 / 11.3	18.2 / 18.2	11.3 / 11.3	18.2 / 18.2	11.3 / 11.3	18.2 / 18.2
25	Lift speed – loaded / empty (36 volt)	fpm	m/s	78.7 / 110.2	0.40 / 0.56	74.8 / 110.2	0.38 / 0.56	70.9 / 110.2	0.36 / 0.56
26	Lift speed – loaded / empty (48 volt)	fpm	m/s	98.4 / 129.9	0.50 / 0.66	94.5 / 129.9	0.48 / 0.66	90.6 / 129.9	0.46 / 0.66
27	Lowering speed – loaded / empty	fpm	m/s	98.4 / 80.7	0.50 / 0.41	98.4 / 80.7	0.50 / 0.41	98.4 / 80.7	0.50 / 0.41
28	Gradeability – loaded at 1 mph (1.6 kmh) (36 volt)*	%		24		21		21	
29	Gradeability – loaded at 1 mph (1.6 kmh) (48 volt)*	%		25		22		22	
30	Maximum gradeability – loaded / empty	%		15 / 23		15 / 19		15 / 18	
Weight				EC15N		EC18N		EC18LN	
31	Empty – with minimum weight battery	lb	kg	6,270	2,845	6,790	3,085	7,370	3,345
32	Axle load – with rated load (front / rear)	lb	kg	8,030 / 1,240	3,750 / 595	8,770 / 1,520	4,200 / 685	9,445 / 1,925	4,250 / 895
33	Axle load – without rated load (front / rear)	lb	kg	2,500 / 3,770	1,125 / 1,720	2,320 / 4,470	1,050 / 2,035	2,070 / 5,300	950 / 2,395
Chassis				EC15N		EC18N		EC18LN	
34	Tire size – front, standard duals	in	mm	18.0x6.0x12.2	457x152x308	18.0x6.0x12.2	457x152x308	18.0x7.0x12.2	457x178x308
35	Tire size – rear	in	mm	14.0x5.0x10.0	356x127x254	14.0x5.0x10.0	356x127x254	14.0x5.0x10.0	356x127x254
36	Wheelbase	in	mm	46.0	1,170	46.0	1,170	46.0	1,170
37	Tread width – front, standard tires	in	mm	31.0	793	31.0	793	32.0	818
38	Tread width – rear tires	in	mm	32.3	820	32.3	820	32.3	820
39	Ground clearance – at lowest point at mast	in	mm	3.0	75.0	3.0	75.0	3.0	75.0
40	Ground clearance – at center of wheelbase	in	mm	3.9	100	3.9	100	3.9	100
41	Service brakes	type		foot-operated, hydraulic		foot-operated, hydraulic		foot-operated, hydraulic	
42	Parking brakes	type		foot-operated, mechanical		foot-operated, mechanical		foot-operated, mechanical	
Electrical				EC15N		EC18N		EC18LN	
43	Battery type			lead-acid		lead-acid		lead-acid	
44	Battery capacity at 6 hr. discharge rate (36 volt)	Ah	kWh	880	31.7	880	31.7	880	31.7
45	Battery capacity at 6 hr. discharge rate (48 volt)	Ah	kWh	770	370	770	370	770	370
46	Battery weight, minimum	lb	kg	1,650	750	1,650	750	1,650	750
47	Battery weight, maximum	lb	kg	2,650	1,200	2,650	1,200	2,650	1,200
48	Battery compartment size, maximum	in	mm	27.8x35.8x23.3	708x906x592	27.8x35.8x23.3	708x906x592	27.8x35.8x23.3	708x906x592
49	Drive motor capacity (60 min. rating) (36 / 48 volt)	HP	kW	8.3 / 9.1	6.2 / 6.8	8.3 / 9.1	6.2 / 6.8	8.3 / 9.1	6.2 / 6.8
50	Lift output (15% rating) (36 / 48 volt)	HP	kW	15.4	11.5	15.4	11.5	15.4	11.5
51	Drive / hydraulic controls	type		AC transistor		AC transistor		AC transistor	
52	Relief pressure for attachments	PSI	Mpa	2,277	15.7	2,277	15.7	2,277	15.7
53	Flow rate for attachments	gpm	lpm	14.5	55	14.5	55	14.5	55

* Maximum converted value to gradeability at maximum torque of the traction motor.

NOTE: These specifications assume the use of drive axles, tires and tilt angles specified. Maximum converted value to gradeability at maximum torque of the traction motor. Any modification to specifications, or any other combination of specifications made after the shipment of the truck, requires prior written approval from Mitsubishi Logisnext Americas Inc. (See ANSI/ITSDF B56.1.) Also be advised that overall operating visibility may be affected by the mast configuration and mast options of your truck. Therefore, you may need to add ancillary (auxiliary) devices or modify your operating practices. Consult your dealer for further information.

Call-out numbers shown in the diagram correspond to the first column of the specifications chart.



Note: Equipping this model (these models) with a power source (e.g. Lithium-ion, Hydrogen Fuel cell, etc.) that has not been previously approved by the factory is considered a modification. Per OSHA 1910.178 and ANSI/ITSDF B56.1, please consult with your factory representative prior to installing any non-OEM power source that has not been previously approved.

Safety Standards

These trucks meet American National Standards Institute/Industrial Truck Standards Development Foundation, ANSI/ITSDF B56.1.

UL-Classified by Underwriters Laboratories, Inc., as to fire and electric shock hazard only. Availability: Type E standard. Types ES and EE optional. Users should be aware of, and adhere to, applicable codes and regulations regarding operator training, use, operation and maintenance of powered industrial trucks, including:

- ANSI/ITSDF B56.1.
- NFPA 505, fire safety standard for powered industrial trucks - type designations, areas of use, maintenance and operation.
- Occupational Safety and Health Administration (OSHA) regulations that may apply.

Contact your Cat lift truck dealer for further information including operator training programs and auxiliary visual and audible warning systems, fire extinguishers, etc., as available for specific user applications and requirements. Specifications, equipment, technical data, photos and illustrations based on information at time of printing and subject to change without notice. Some products may be shown with optional equipment.



Your Cat lift truck dealer can provide additional options and features to specialize your lift truck for your unique application. Operator training and custom financing programs are also available to help find the right fit for your business.

Helping move businesses forward – that’s how we’re built.

1-800-CAT-LIFT | www.logisnextamericas.com/cat

© 2021 Mitsubishi Logisnext Americas Inc. All Rights Reserved. CAT, CATERPILLAR, their respective logos, “Caterpillar Yellow,” the “Power Edge” trade dress as well as corporate and product identity used herein, are trademarks of Caterpillar and may not be used without permission. All registered trademarks are the property of their respective owners.

Some products may be shown with optional equipment.

CECM0309

08/21

